

TEMELJ
beton $4,72\text{m}^2 \times 0,4\text{m} = 1,89\text{m}^3$
oplati $24,4\text{m} \times 0,4\text{m} = 9,76\text{m}^2$

ZIDIĆI
beton $0,72\text{m}^2 \times 0,65\text{m} + 1,6\text{m}^2 \times 1,5\text{m} = 2,87\text{m}^3$
oplati $8,0\text{m} \times 0,65\text{m} + 16,4 \times 1,5 = 29,8\text{m}^2$

TEMELJ
beton $14,32\text{m}^2 \times 0,4\text{m} = 5,73\text{m}^3$
oplati $72,4\text{m} \times 0,4\text{m} = 28,96\text{m}^2$

ZIDIĆI
beton $0,72\text{m}^2 \times 0,65\text{m} + 6,4\text{m}^2 \times 1,5\text{m} = 10,07\text{m}^3$
oplati $8,0\text{m} \times 0,65\text{m} + 64,4 \times 1,5 = 101,8\text{m}^2$

TEMELJ
beton $1,89\text{m}^3$
oplati $9,76\text{m}^2$

ZIDIĆI
beton $2,87\text{m}^3$
oplati $29,8\text{m}^2$

TEMELJ
beton $5,73\text{m}^3$
oplati $28,96\text{m}^2$

ZIDIĆI
beton $10,07\text{m}^3$
oplati $101,8\text{m}^2$

TEMELJ
beton $7,62\text{m}^3$
oplati $38,72\text{m}^2$

ZIDIĆI
beton $12,94\text{m}^3$
oplati $131,6\text{m}^2$

TEMELJI x4
beton $22,16\text{m}^3$
oplati $112,00\text{m}^2$

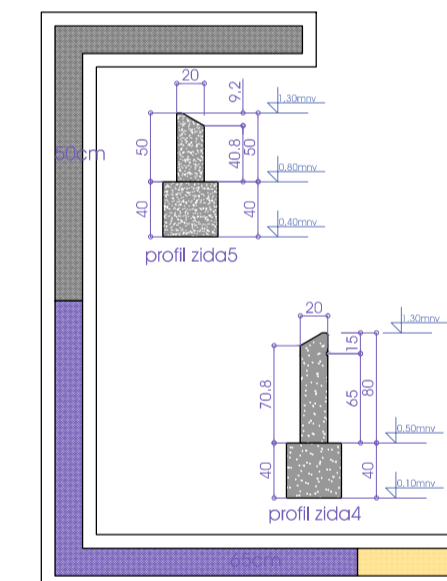
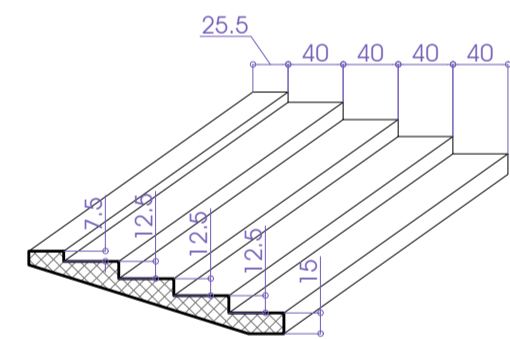
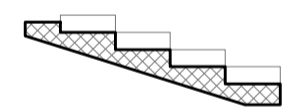
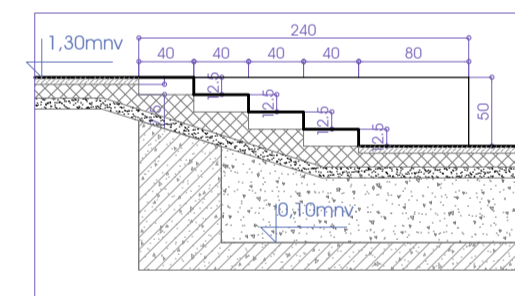
ZIDIĆI x4
beton $4,48\text{m}^3$
oplati $46,54\text{m}^2$

TEMELJI SVE
beton $29,78\text{m}^3$
oplati $150,72\text{m}^2$

ZIDIĆI SVE
beton $17,33\text{m}^3$
oplati $178,14\text{m}^2$

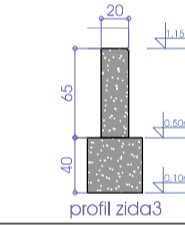
AB STEPENICE

beton $0,295\text{m}^2 \times 2,0\text{m} \times 6\text{ kom} = 3,54\text{ m}^3$
oplati $0,6\text{m} \times 2,0\text{m} \times 6\text{ kom} = 7,2\text{ m}^2$



TEMELJ
beton $13,84\text{m}^2 \times 0,4\text{m} = 5,54\text{m}^3$
oplati $70,0\text{m} \times 0,4\text{m} = 28,0\text{m}^2$
ZIDIĆI 50cm
beton $1,44\text{m}^2 \times 0,5\text{m} = 0,72\text{m}^3$
oplati $15,2\text{m} \times 0,5\text{m} = 7,6\text{m}^2$
ZIDIĆI 80cm
beton $1,44\text{m}^2 \times 0,8\text{m} = 1,16\text{m}^3$
oplati $15,2\text{m} \times 0,8\text{m} = 12,16\text{m}^2$
ZIDIĆI 65cm
beton $4,0\text{m}^2 \times 0,65\text{m} = 2,6\text{m}^3$
oplati $41,2\text{m} \times 0,65\text{m} = 26,78\text{m}^2$

TEMELJI x4
beton $22,16\text{m}^3$
oplati $112,00\text{m}^2$
ZIDIĆI x4
beton $4,48\text{m}^3$
oplati $46,54\text{m}^2$



x4

